



RHINO ALUMINIUM

Decalu88 Folding Doors

deceuninck



CONTENTS

- Introduction4
- Features6
- Colour Palette.....8
- Drainage & Cills..... 10
- Door Accessories & Glass..... 11
- Specifications & Technology 12
- Winkhaus autoLock AV3..... 14
- Yale 3 Star Cylinder 16
- Installation/Quality Control/Sustainability 18
- Enquiries 19



Connect space.
Connect with friends and family.



Create a seamless connection between inside and outside spaces with Decalu, the next generation energy efficient aluminium bi-folding door system from Deceuninck by Rhino Aluminium.

Extending your living space has never been easier. Decalu88 Folding Door is a smart design solution that saves space and ensures maximum light without jeopardising performance, creating a seamless connection between inside and outside spaces.

“It’s the only aluminium bi-folding door which meets new standards for new build using a double-glazed unit”.
(Source: Deceuninck)

The Decalu88 bi-folding door delivers industry leading U-Values of as low as 1.2W/m²k triple-glazed or 1.4W/m²k double-glazed.

Sightlines are minimal giving the Decalu88 a contemporary premium aesthetic. With each sash able to accommodate weights of 200kg and up to 3m in height, the Decalu88 Bi-Folding Door also offers impressive design flexibility, while guaranteeing ultra-smooth running.

Combined with a range of dual colour options, textured and metallic finishes, it's the perfect bi-fold.

FEATURES

- CONTEMPORARY 88MM THERMALLY EFFICIENT SYSTEM
- U-VALUES AS LOW AS 1.2W/M²K TRIPLE-GLAZED OR 1.4W/M²K DOUBLE GLAZED MAKING IT PART L AND FUTURE HOMES READY
- AVAILABLE IN ANY SINGLE OR DUAL RAL COLOUR OPTION OR TEXTURED AND METALLIC FINISHES
- MARINE GRADE AS STANDARD
- AIR PERMEABILITY, NBN EN 12207, CLASS 4
- WATER TIGHTNESS, NBN EN 12208, E2250
- WIND RESISTANCE, NBN 12210, CLASS C5
- ACOUSTIC VALUE, EN20140-3 1999, RW 47(-1;-2)
- HIGH SECURITY LOCKING MECHANISM
- LOW SIGHTLINE GASKET - NO BLACK LINES AROUND GLASS
- MODULAR - SINGLE INNER FRAME WITH AN IDENTICAL MID SECTION
- SMOOTH EFFORTLESS OPERATION
- ONE SASH CAN BE USED AS AN ACCESS DOOR

OUTDOOR LIVING AT ITS BEST





STANDARD COLOURS

DECALU88 FOLDING DOORS are available in 3 standard colours which are available from stock with no additional colour surcharge.

The standard range of colours consist of:

- Hipca White
- Anthracite Grey
- Jet Black



HIPCA WHITE
(High Gloss Finish)
RAL 9910



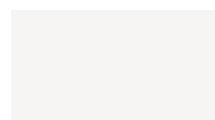
ANTHRACITE GREY
(Matt Finish)
RAL 7016



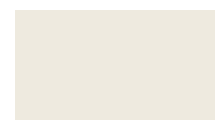
JET BLACK
(Matt Finish)
RAL 9005

Should you require a colour alternative to our standard three, below are some more options available at an additional cost. Non-standard colours can add up to 4 weeks to the production time. Further textured RAL colours may be available on request, please contact us for more information.

ADDITIONAL COLOURS



TRAFFIC WHITE
RAL 9016



CREAM WHITE
RAL 9001



LIGHT IVORY
RAL 1015



WHITE ALUMINIUM
RAL 9006



BLUE GREY
RAL 7031



UMBRA GREY
7022



IRON GREY
RAL 7011



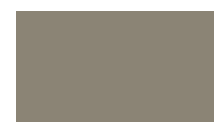
WINE RED
RAL 3005



HIPCA WHITE
RAL D 085 60 10



STONE GREY
RAL 7030



CONCRETE GREY
RAL 7023



QUARTZ GREY
RAL 7039



BLACK GREY
RAL 7021



ANTHRACITE GREY
RAL 7016



STEEL BLUE
RAL 5011



GRAPHITE BLACK
RAL 9011

Colour is essential for the atmosphere and appearance of a building. It has to fit in with the other elements of the façade.

Here are just 16 carefully selected RAL colours that fit in perfectly with contemporary home decoration trends. We offer options for both industrial and rural homes ranging from Stone Grey and Steel Blue to Light Ivory.

BESPOKE TO YOU

Do you require a specific colour for your next project? Choose a colour of your choice from the RAL Colour Chart.

* Subject to availability

** Non-standard colours will be subject to a longer lead time

*** Non-standard colours are subject to an additional cost



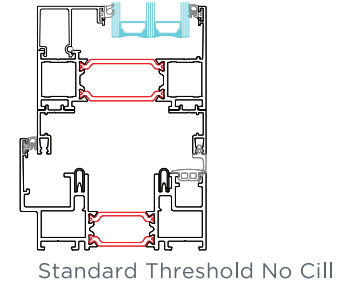
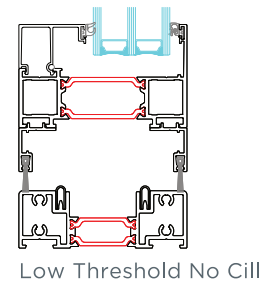
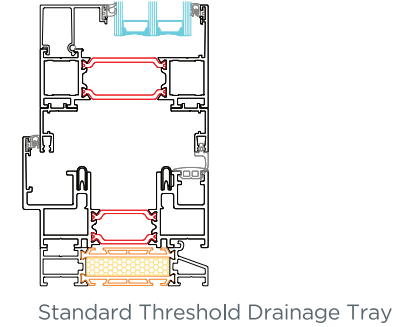
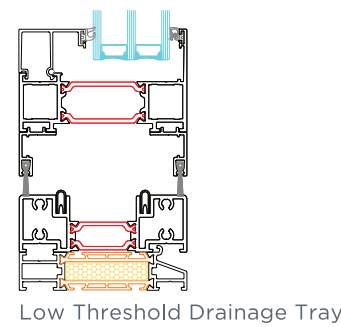
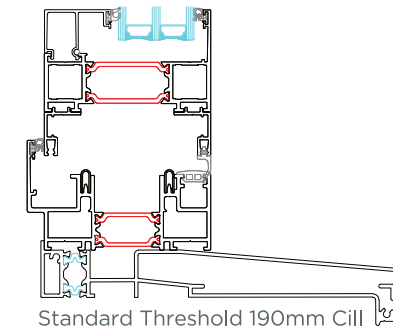
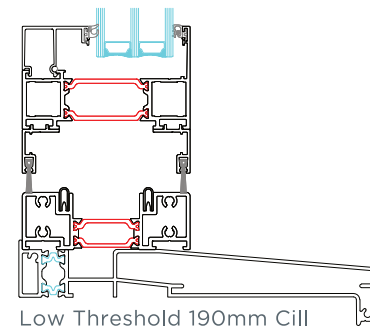


DRAINAGE

The drainage elements of Decalu88 Folding Doors are hidden in the frame profile, which means they have a minimal impact on the visual aspect. The different drainage systems and cills click into place in the door profile easily.

CILLS

Available in various sizes: 95mm, 150mm and 190mm.



FOLDING DOOR ACCESSORIES



D TYPE HANDLE OPENING OUTWARDS AND INWARDS
COLOURS - BLACK



STANDARD HANDLE
COLOURS - BLACK, BRUSHED SATIN CHROME OR RAL MATCHED



DOOR HANDLE WITH LONG ESCUTCHEON AND CYLINDER LOCK HOLE
COLOURS - BLACK

GLASS OPTIONS

DOUBLE GLAZING	
STANDARD LOW-E SGG PLANITHERM1	To achieve 1.4 U-value in W/m ² K
TRIPLE GLAZING	
STANDARD LOW-E	To achieve 1.2 U-value in W/m ² K
OBSCURE GLAZING	
SATIN WHITE	Double glazing - To achieve 1.4 U-value in W/m ² K Triple Glazing - To achieve 1.2 U-value in W/m ² K



SGG Planitherm Total+ is a high performance low-E glass developed in the UK, specifically for the particular needs of the UK market. It has been optimised for even better Window Energy Ratings (WERs) and as such is one of the most energy efficient window glass products available today. We offer:

SGG **PLANITHERM® TOTAL+**
New improved advanced performance low-E glass

deceuninck

Technical performance		Decalu88 Folding Doors	
Test	GLAZING		VALUE (SASH + FRAME)
EN ISO 10077-2			As from $U_f = 2.3 \text{ W/m}^2\text{k}^*$
EN ISO 10077-1	Double glazing	$U_g = 1.1 \text{ W/m}^2\text{K}^*$ $U_g = 1.0 \text{ W/m}^2\text{K}^*$	$U_w = 1.5 \text{ W/m}^2\text{K}^*$ $U_w = 1.4 \text{ W/m}^2\text{K}^*$
	Triple glazing	$U_g = 0.6 \text{ W/m}^2\text{k}^*$	$U_w = 1.2 \text{ W/m}^2\text{K}^*$

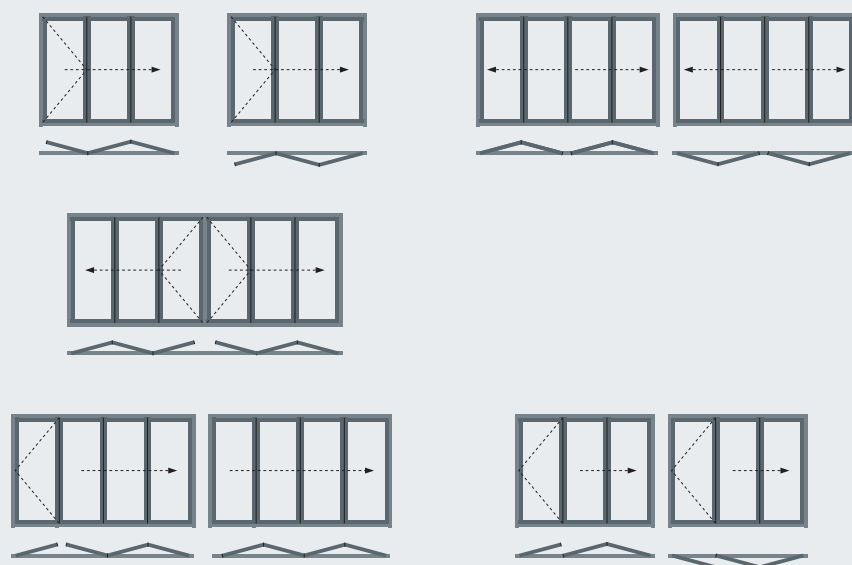
DECALU88 BI-FOLDING DOORS

If you choose DECALU88 BI-FOLDING DOORS made in the patented SO EASY technology, you will obtain:

- Highly energy-efficient folding door
- Unique leaf weight up to 200kg
- Maximum leaf height up to 3m
- Specifically designed adjusting profile, all leaves can have identical dimensions
- Top-level functionality and appearance, characteristic for SO EASY technology
- Two thresholds to choose from: low and standard
- Possible to apply double glazed units up to 62mm
- Panoramic views

CONFIGURATIONS

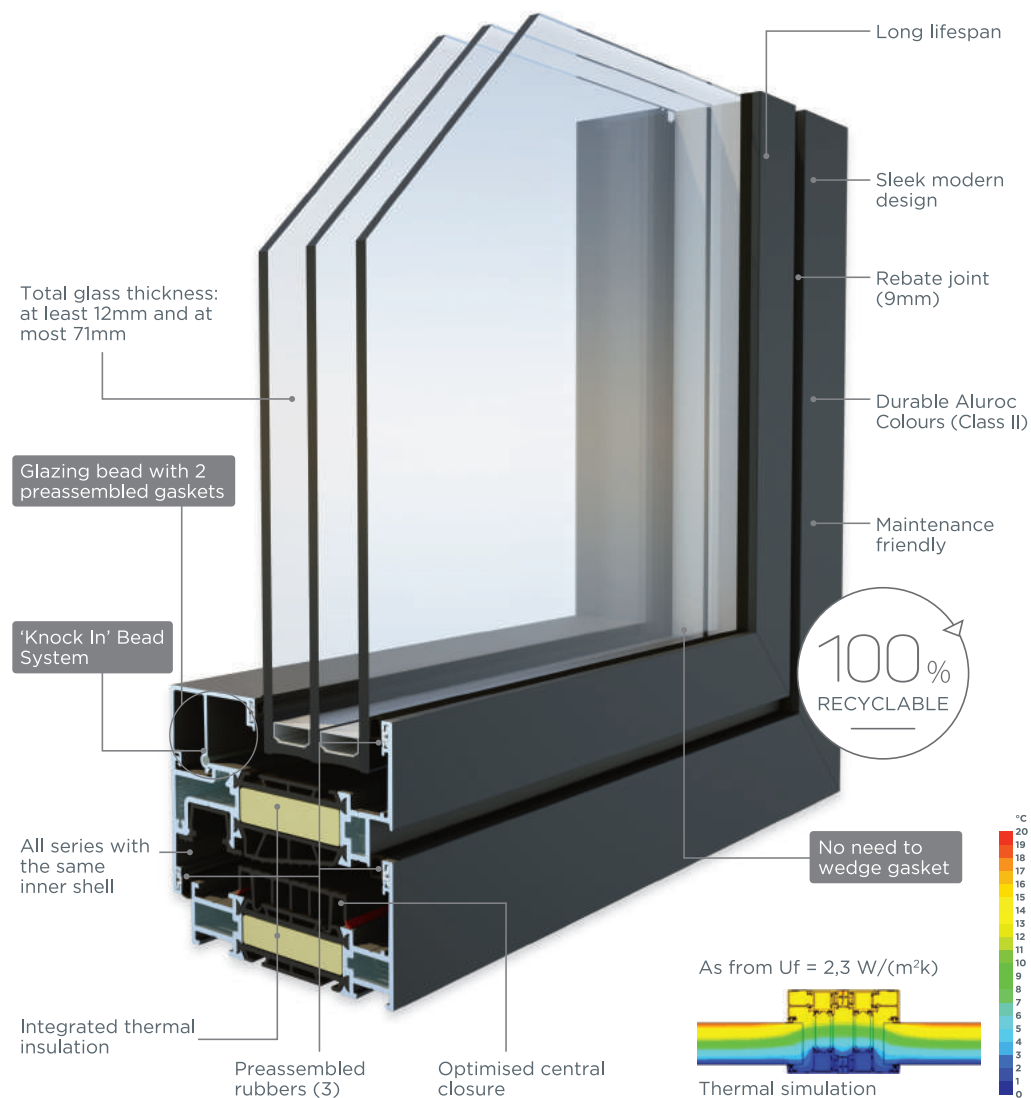
The diagrams shown here illustrate some of the configurations achievable with the Decalu88 bi-folding door system



DECEUNINCK ALUMINIUM

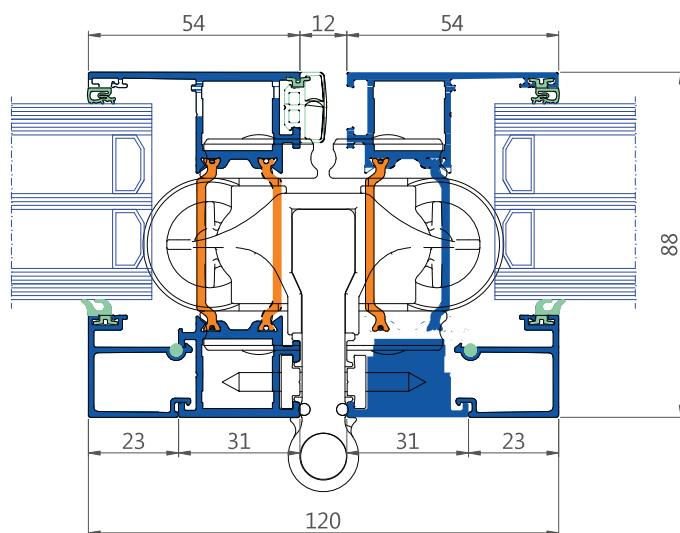
Unique concept with 3 distinctive features

- One inner frame with an identical middle section and slim profiles
- Preassembled gaskets in frame, sash and glazing beads
- Integrated thermal insulation in the profiles

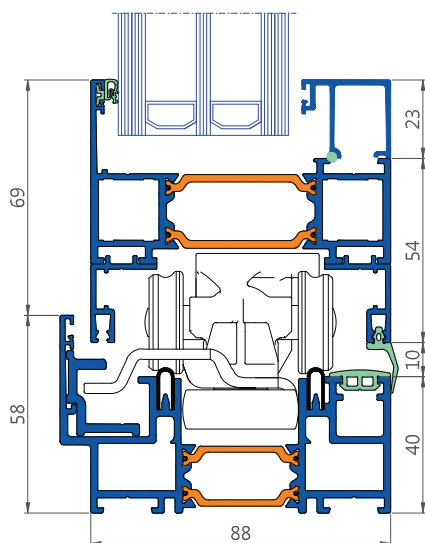


CAD CROSS SECTIONS

HORIZONTAL SECTION



VERTICAL SECTION



SPECIFICATIONS & TECHNOLOGY

Technical performance			Decalu88 Folding Doors
Test	GLAZING		VALUE (SASH + FRAME)
EN ISO 10077-2			As from $U_f = 2.3 \text{ W/m}^2\text{k}^*$
EN ISO 10077-1	Double glazing	$U_g = 1.1 \text{ W/m}^2\text{K}^*$ $U_g = 1.0 \text{ W/m}^2\text{K}^*$	$U_w = 1.5 \text{ W/m}^2\text{K}^*$ $U_w = 1.4 \text{ W/m}^2\text{K}^*$
	Triple glazing	$U_g = 0.6 \text{ W/m}^2\text{K}^*$	$U_w = 1.2 \text{ W/m}^2\text{K}^*$
Air permeability	NBN EN 12207		Class 3
Water tightness	NBN EN 12208		450 pa
Wind resistance	NBN EN 12210		n/a
Operating forces	NBN EN 13115		n/a
Incorrect use	NBN EN 13115		n/a

Technical CHARACTERISTICS	Decalu88 Folding Doors
Frame installation depth	88mm
Sash installation depth	88mm
Hardware	Delivered with the system
Rebate height	25mm
Glazing bead light	23mm
Possible glass thickness	12-62mm
Internal visible height of frame	30-40mm
External visible height of frame	30-58mm
External visible height of the cross beam	n/a
Exterior	flat
Interior	flat
Central gasket	n/a
Glazing rubbers	EPDM
Alloy	EN AW 6060 TW66
Thermal break	Abs 49mm

(*) U-Value calculated on the basis of a folding door measuring 3000 x 2150mm (Wx) and featuring 3 sashes

	Installation depth frame/sash	Combination frame and sash	Combination with the movable post	Max glass thickness	Max sash weight
Decalu 188 folding doors	Frame 97mm Sash 88mm	106mm	149,1mm	62mm	200kg

WINK HAUS



Secured by Design



Official Police Security Initiative

WINK HAUS

SECURITY TIGHT SEAL CONVENIENCE

Everything expected of a door locking system.

Securely closing doors, convenience and a tight seal – precisely the features which you can expect from Winkhaus' automatic multi-point locking system.

The locking system comes in the mechanical autoLock AV3 version and the motorised blueMatic AV3-E version. Its innovative sealing elements and practical daytime latch can be adapted to meet your individual requirements. Fully automatic – in the truest sense of the word.

AV3 CUTTING – EDGE DOOR TECHNOLOGY

EXTREMELY SECURE – The Winkhaus automatic multi-point locking system locks automatically when you pull the door closed without you having to lock the door with a key.

EXTREMELY CONVENIENT

If you want to temporarily release the lock, for example to carry in the shopping, you can simply enable the convenient TaFa daytime latch and can open the door from the outside without a key.

EXTREMELY TIGHT

No unwanted drafts, no premature warping of the door. The durable sealing elements promise ultimate resistance and stability.

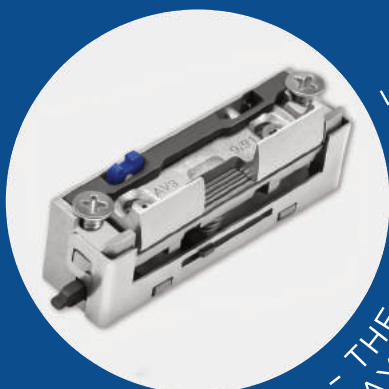
FEATURES & BENEFITS

- Automatic locking once the door is closed providing instant security
- Dual hook for added security and dynamic contact pressure
- Magnetic trigger in combination with tracer pin minimises wear on the door frame
- Smooth operation despite the tight seal
- Fail-safe function prevents the hooks from accidentally disengaging
- Innovative optional daytime latch for flexible entry without use of a key
- Protective surface coating in excess of EN1670 2007 Grade 4
- PAS 24 & ADQ compliant
- 3-point locking system is Police Secured by Design

WINKHAUS AUTOLOCK AV3



THE DUAL HOOK



TaFa - THE INNOVATIVE DAY TIME LATCH



LATCH/DEAD BOLT KEEP WITH DAY TIME LATCH AND MAGNET AV3



Recommended by the **police!**



YALE 3 STAR CYLINDER

The Yale Platinum 3 Star Euro Profile cylinder is a TS007 3 star Kitemarked Anti-Snap security product to provide maximum security against known cylinder attack methods.

The Platinum 3 Star cylinder is independently tested by BSI to be awarded the British Kitemarked TS007 2014 3 star accreditation.

SPECIFICATION

- TS007 2014 3 STAR APPROVED
- KM 559658
- BSEN1303:2005 APPROVED
- ANTI-SNAP, SACRIFICIAL, FRONT SECTION
- ANTI-PICK, ANTI-BUMP, ANTI-SCREW, ANTI-PULL AND ANTI-DRILL
EURO RETROFIT CYLINDER





ANTI-SNAP

A small section of the cylinder is sacrificed under attack, leaving the remainder of the cylinder intact, and your door safely locked

ANTI-BUMP

Specialised side pins provide bump resistance

ANTI-PICK

Unique multi shear-line technology designed to resist lock picking and bumping

HORIZONTAL KEYWAY

With reversible flat key for easy key entry

CERTIFIED

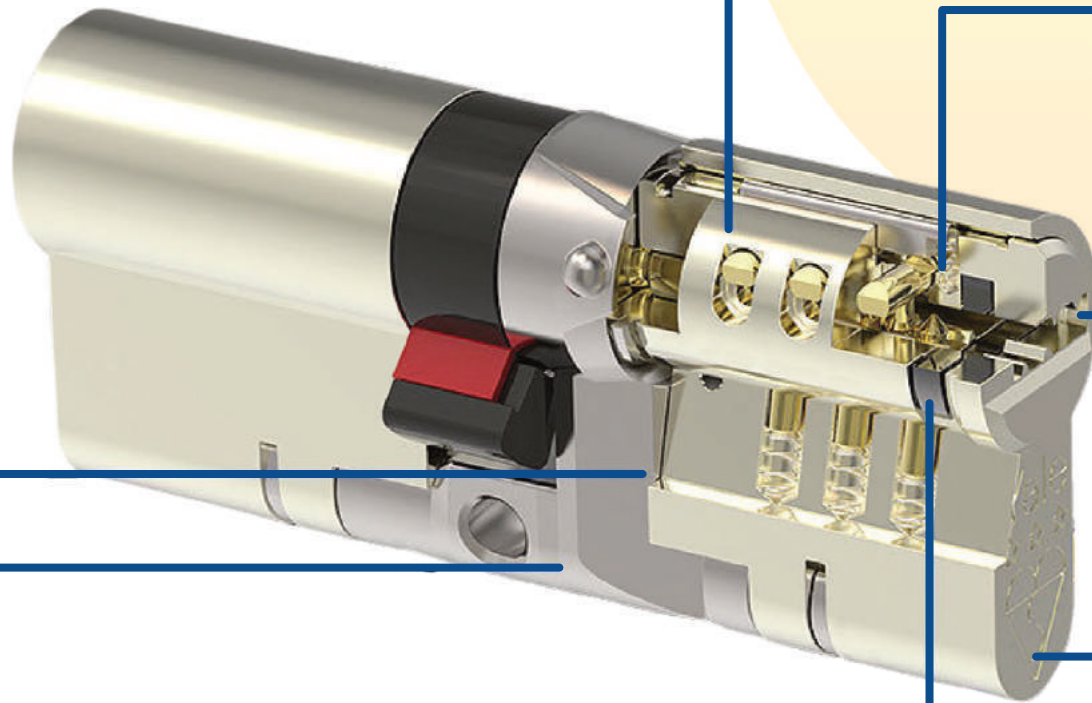
Approved to TS007:20143 star - the highest certifiable level.

INNER STRENGTH

The dedicated central bridge delivers unparalleled inner strength to the cylinder providing protection even if the cylinder is attacked from the outside

ANTI-DRILL

Hardened steel protection incorporated within the cylinder provides heavy resistance against drill attacks



QUALITY CONTROL

Our team check the quality of the profiles daily. They test all characteristics of the raw materials, the extruded profiles and the finished door systems in accordance with the strictest standards. Dimensions, colour, thermal stability, corner joint and compositions are verified at regular intervals.

Finished doors are quality checked to the highest standard. These strict internal inspections ensure the exceptional quality of the Deceuninck profiles.

EASY FIT

Decalu has been designed to maximise opportunities and margin for Installers...

You know it, we're going to say it. A successful bi-fold door installation is about getting it square and level. The Decalu88 Bi-fold is easy to glaze with knock-in glazing bead and pre-inserted gasket. It also features two 7mm fully adjustable jambs offering 14mm of tolerance for out-of-square openings.

MADE SUSTAINABLY

Decalu88 Bi-Folding Doors are made to existing standards, minimizing waste through precision manufacture.

Components from the high-grade aluminium we use to thermal reinforcements are 100% recyclable.

We're also helping to take single-use plastics out of circulation by bringing waste-water bottles back into use in our thermal breaking technologies.

This helps us to make your new door ultra-energy efficient, offering u-values (the measure of heat transfer) of as low as 0.68W/m²k, so your next new build or restoration project loses less energy.

MORE FOR YOUR CUSTOMERS TO LIKE

Decalu uses through-frame drainage across its complete range leaving clean, contemporary, and uninterrupted sightlines.



ENQUIRIES

| 01843 44 66 79
| info@rhinoaluminium.co.uk
| www.rhinoaluminium.co.uk



Secured by Design



Official Police Security Initiative





RHINO
ALUMINIUM

Unit 5b Millennium Way, Thanet Reach Business Park, Broadstairs CT10 2QQ | 01843 44 66 79 | info@rhinoaluminium.co.uk | www.rhinoaluminium.co.uk